

2MP 20x IR Network PTZ Dome Camera

RUPTZ20-1



Key Features

Optics

- Accurate and fast focusing
- The third-generation infrared technology
- Smart IR, up to 150 m (492ft) IR distance
- Optical glass window with higher light transmittance
- IR anti-reflection window to increase the infrared transmittance

Compression

- H.265, H.264, MJPEG
- Embedded smart algorithm
- Triple streams
- Customized OSD

Network

- ONVIF Conformance

Structure

- Special structure and window design to battle bad weather (especially in dusty weather)

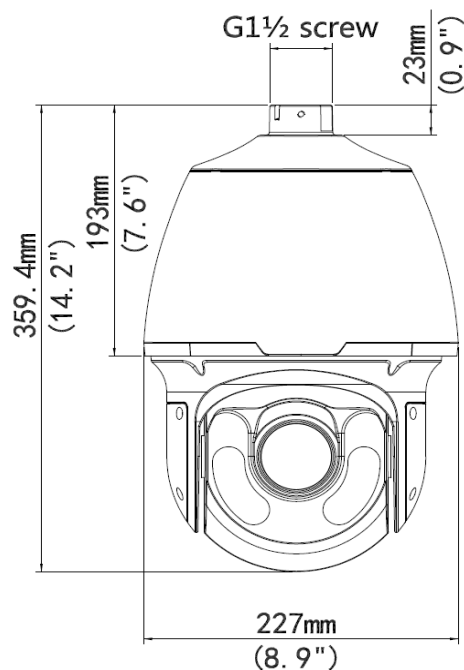
- Innovative snow-removing functionality
- More effective heat dissipation system
- Intelligent temperature control technology
- 6 KV surge protection designed for network interface

Specifications

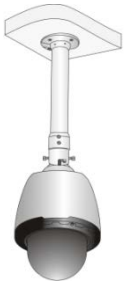
| RUPTZ20-1 | |
|----------------------------|--|
| Camera | |
| Sensor | 1/3", 2megapixel, progressive scan, CMOS |
| Lens | 5.2 ~ 104 mm (20x optical zoom) |
| Angle of View (H) | 61.9° (wide) ~ 3.5° (tele) |
| Shutter | Auto/Manual; shutter time: 1/6 s ~ 1/100000 s |
| Minimum Illumination | Colour: 0.03 lux (F1.6, AGC ON) 0 lux with IR |
| Iris | Auto/Manual; F1.5 ~ F3.0 |
| Day/Night | IR-cut filter with auto switch (ICR) |
| S/N | >52dB |
| WDR | Digital WDR |
| Video | |
| Max. Resolution | 1920 × 1080 |
| Video Compression | H.265, H.264, MJPEG |
| Frame Rate | 1080P (1920×1080):Max.30 fps; 720P (1280×720):Max.30 fps; D1 (720×576):Max.25 fps |
| Video Streaming | Triple |
| HLC | Supported |
| OSD | Up to 8 OSDs |
| Privacy Mask | Up to 8 areas |
| Digital Zoom | Supported |
| Smart | |
| Behavior Detection | Intrusion, crossing line, motion detection |
| Exception Detection | Audio detection |
| Intelligent Identification | Face detection |
| Statistical Analysis | People counting |
| Audio | |
| Audio Compression | G.711 |
| Two-way audio | Supported |
| Storage | |
| Edge Storage | Micro SD, up to 128 GB |
| Network | |
| Protocols | L2TP, IPv4, IGMP, ICMP, ARP, TCP, UDP, DHCP, PPPoE, RTP, RTSP, RTCP, DNS, DDNS, NTP, FTP, UPnP, HTTP, HTTPS, SMTP 802.1x |
| Compatible Integration | ONVIF, API |

| Pan & Tilt | |
|---------------------|---|
| Pan Range | 360° (endless) |
| Pan Speed | 0.1°/s ~ 240°/s |
| | Preset speed: 300°/s |
| Tilt Range | -15° ~ +90° (auto reverse) |
| Tilt Speed | 0.1° ~ 160°/s |
| | Preset speed: 240°/s |
| Number of Presets | 256 |
| Patrol | Up to 16 patrols, up to 32 presets per patrol Note: The total number of patrols and patterns is 16. |
| Pattern | Up to 16 patterns, with the total recording time not less 15 minutes per pattern |
| Interface | |
| Audio I/O | Audio cable |
| | Input: impedance 35 kΩ; amplitude 2 V [p-p] |
| | Output: impedance 600 Ω; amplitude 2 V [p-p] |
| Alarm I/O | 1/1 |
| Network | 10M/100M Base-TX Ethernet |
| General | |
| Power | 24 V AC, 24 V DC, PoE (PSE Required) |
| | Power consumption: 9 ~ 42W |
| Dimensions (∅xH) | ∅227x359.4 mm (∅8.9" x 14.2") |
| Weight | 5.28 kg (11.6lb) |
| Working Environment | -40°C ~ +65°C (-40°F ~ 149°F), Humidity ≤ 95% RH(non-condensing) |
| Ingress Protection | IP66 |

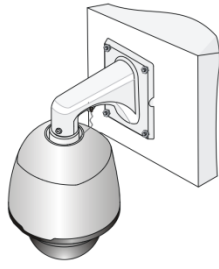
Dimensions



Installation



Pendant mount



Wall mount

Corner mount