

# 4K Mini Fixed Bullet Network Camera

## RUCB40-4



### Key Features

#### Resolution

- 8MP (3840\*2160), Max 20fps

#### Optics

- Day/night functionality
- SmartIR, up to 30m (98ft) IR distance
- Optical glass window with higher light transmittance
- IR anti-reflection window to increase the infrared transmittance
- 2D/3D DNR (Digital Noise Reduction)
- Up to 120dB WDR (Wide Dynamic Range)

#### Compression

- Ultra 265, H.265, H.264, MJPEG
- Triple streams
- 9:16 corridor format

#### Network

- ONVIF Conformance

#### Structure

- Wide temperature range: -30°C ~ 60°C (-22°F ~ 140°F)

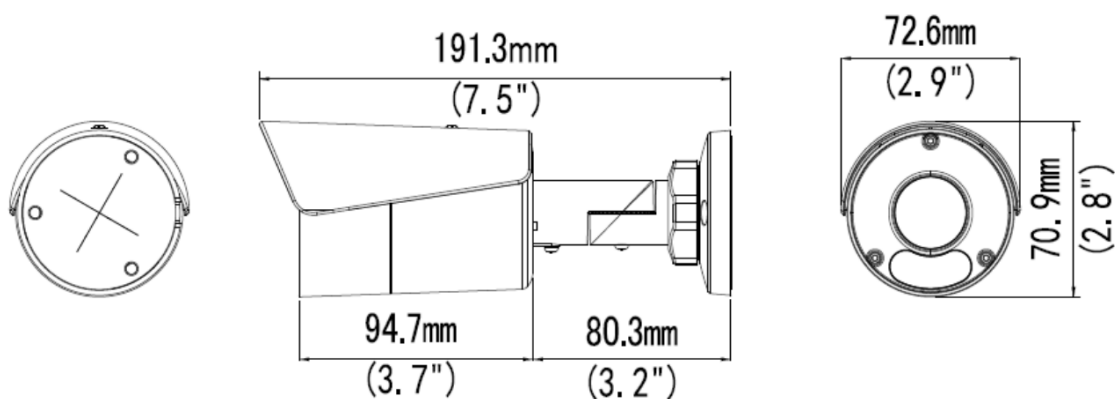
- Wide voltage range of  $\pm 25\%$
- IP67
- 3-Axis

## Specifications

Feature	Description				
Sensor	1/2.5", 8.0 megapixel, progressive scan, CMOS				
Lens	4.0mm@F2.0				
DORI Distance	Lens (mm)	Detect(m)	Observe(m)	Recognize(m)	Identify(m)
	4.0	72	28.8	14.4	7.2
Angle of View(H)	91.6°				
Angle of View(V)	47.2°				
Angel of View(O)	112.7°				
Adjustment Range	Pan: 0~360°		Tilt: 0~90°	Rotation: 0~360°	
Shutter	Auto/Manual, 1~1/100000s				
Min. Illumination	Color: 0.05Lux (F2.0, AGC ON) Night (Black & White): 0Lux with IR ON				
Day/Night	IR-cut filter with auto switch (ICR)				
Digital Noise Reduction	2D/3D DNR				
S/N	>52dB				
IR Range	Up to 30m (98ft.)				
Defog	Digital Defog				
WDR	120dB				
<b>Video</b>					
Video Compression	Ultra 265,H.265, H.264, MJPEG				
H.264 code profile	Baseline profile, Main Profile, High Profile				
Frame Rate	Main Stream:8MP (3840*2160), Max 20fps; Sub Stream:1080P (1920*1080), Max 30fps; Third Stream:D1(720*576), Max30fps				
9:16 Corridor Mode	Supported				
HLC	Supported				
BLC	Supported				
OSD	Up to 8 OSDs				
Privacy Mask	Up to 8 areas				
ROI	Up to 8 areas				
Motion Detection	Up to 4 areas				
<b>Network</b>					
Protocols	IPv4,IGMP,ICMP,ARP,TCP,UDP,DHCP,RTP,RTSP,RTCP,DNS,DDNS,NTP,FTP,UPnP,HTTP,HTTPS,SMTP, SSL,QoS				
Compatible Integration	ONVIF(Profile S, Profile T)				
<b>Interface</b>					
Network	1 RJ45 10M/100M Base-TX Ethernet				

General	
Power	DC 12V±25%, PoE (IEEE 802.3af)
	Power consumption: Max 8W
Dimensions (L × W × H)	191.3×72.6×70.9mm (7.5"×2.9"×2.8")
Weight	0.5kg (1.1lb)
Working Environment	-30°C - 60°C (-22°F - 140°F)
Operating humidity	10%~90% (noncondensing)
Ingress Protection	IP67

## Dimensions



### REVO America

850 Freeport Parkway, STE 100, Coppell, TX, United States

Email: [support@revoamerica.com](mailto:support@revoamerica.com)

<https://www.revoamerica.com>

©2019 REVO America All rights reserved.

**\*Product specifications and availability are subject to change without notice.**