

4MP Vandal-resistant IR Fixed Mini Dome Camera

RUCD28-1



Key Features

Optics

- Day/night functionality
- Smart IR, up to 15 m (49 ft) IR distance
- 2D/3D DNR (Digital Noise Reduction)
- Up to 120 dB Optical WDR(Wide Dynamic Range)

Compression

- Ultra 265,H.265, H.264, MJPEG
- Embedded smart algorithm
- Triple streams
- ROI (Region of Interest)

Network

- ONVIF Conformance

Structure

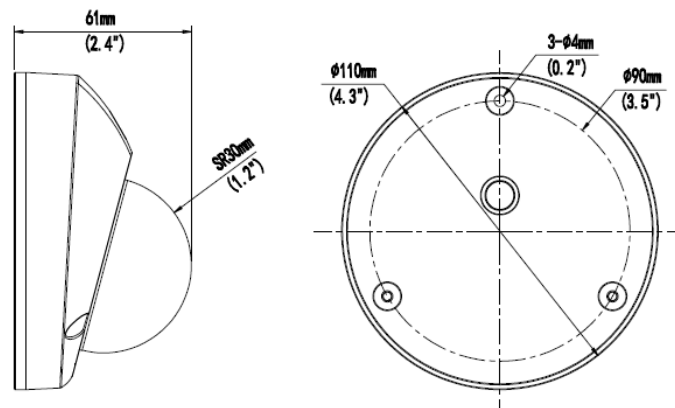
- Wide temperature range: -35°C to 60°C (-31°F to 140°F)
- Wide voltage range of $\pm 25\%$
- Built-in microphone
- IK10 vandal resistant
- IP66

Specifications

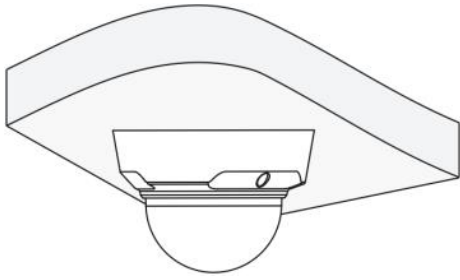
RUCD28-1	
Camera	
Sensor	1/3", progressive scan, 4.0 megapixel, CMOS
Lens	2.8mm@F2.0
Angle of View (H)	104.4°
Shutter	Auto/Manual, 1/6~1/100000 s
Minimum Illumination	Colour: 0.03 Lux (F2.0, AGC ON) 0 Lux with IR
Day/Night	IR-cut filter with auto switch (ICR)
Digital noise reduction	2D/3D DNR
S/N	≥ 55 dB
IR Range	Up to 15m (49 ft) IR range
Defog	Digital Defog
WDR	120dB
Video	
Video Compression	Ultra 265, H.265, H.264, MJPEG
H.264 code profile	Baseline profile, Main Profile, High Profile
Frame Rate	Main Stream: 4MP (2592×1520): Max. 20 fps, 4MP (2560×1440): Max. 25 fps, 3MP (2048×1520): Max. 30 fps; Sub Stream: 2MP (1920×1080): Max. 30 fps; Third Stream: D1(720×576) : Max. 30fps
HLC	Supported
BLC	Supported
9:16 Corridor Mode	Supported
OSD	Up to 8 OSDs
Privacy Mask	Up to 8 areas
ROI	Up to 8 areas
Motion Detection	Up to 4 areas
Smart	
Behavior Detection	Intrusion, cross line, motion detection
Exception Detection	Audio detection

Intelligent Identification	Face detection, Defocus, Scene Change
Statistical Analysis	People counting
General Function	Watermark, IP Address Filtering, Tampering Alarm, Access Policy, ARP Protection, RTSP Authentication, User Authentication
Audio	
Audio Compression	G.711
Suppression	Supported
Suppression	Supported
Sampling Rate	8 KHZ
Storage	
Edge Storage	Micro SD, Up to 128 GB
Network Storage	ANR
Network	
Protocols	IPv4, IGMP, ICMP, ARP, TCP, UDP, DHCP, PPPoE, RTP, RTSP, RTCP, DNS, DDNS, NTP, FTP, UPnP, HTTP, HTTPS, SMTP, 802.1x, SNMP
Compatible Integration	ONVIF(Profile S, Profile G), API
Interface	
Audio I/O	Audio cable
	Input: impedance 35 k Ω ; amplitude 2 V [p-p]
	Output: impedance 600 Ω ; amplitude 2 V [p-p]
Built-in Mic	Supported
Network	1 RJ45 10M/100M Base-TX Ethernet
General	
Power	12 V DC \pm 25%, PoE (IEEE 802.3af)
	Power consumption:Max 5W
Dimensions (\varnothing x H)	\varnothing 110 x 61 mm (\varnothing 4.3" x 2.4")
Weight	0.25 kg (0.55 lb)
Working Environment	-35°C ~ +60°C (-31°F ~ 140°F), Humidity:10%~95% RH(non-condensing)
Ingress Protection	IP66
Vandal Resistant	IK10

Dimensions



Installation



Ceiling mount