

# ULTRA 1080p Dual-Lens 4X Optical Zoom PTZ Camera

RUPTZ4X-1A



## Key Features



- Fixed camera and PTZ camera integration offers greater coverage by capturing a wide-angle and zoomed-in views simultaneously
- High quality image with 2MP, 1/2.8" CMOS sensor
- 1920\*1080@25fps in the main stream
- Ultra 265, H.265, H.264, MJPEG
- 4X optical zoom of PTZ channel allows for closer viewing of subjects
- Smart intrusion prevention, support false alarm filtering, include Cross Line, Intrusion, Enter Area, Leave Area detection
- PTZ channel can be linked by fixed channel' smart intrusion prevention to track the objects triggering the settings
- Light-Hunter technology ensures ultra-high image quality in low illumination environment
- Up to 120 dB Optical WDR (Wide Dynamic Range)
- Built-in 2\*mic & high-power speaker, support two-way audio, has better sound performance
- Support ceiling mount and wall mount
- IR & warm light illumination to deal with different scenes and achieve full-color illumination
- DC12V or PoE+(IEEE 802.3at) power supply

## Specifications

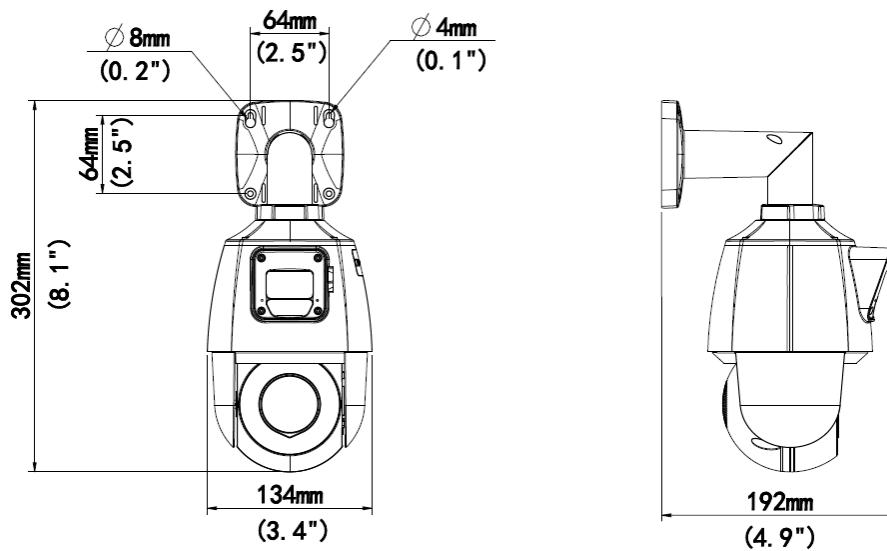
	RUPTZ4X-1A				
Camera	Fixed Lens Camera		PTZ Camera		
Sensor	1/2.8", 2MP, CMOS				
Min. Illumination	Color:0.002 lux (F1.6, AGC ON) 0 lux with IR		Color:0.002 lux (F1.6, AGC ON) 0 lux with IR/Warm light		
Day/Night	IR-cut filter with auto switch (ICR)				
Shutter	Auto/Manual, 1 ~ 1/100000s				
WDR	120dB		DWDR		
S/N	> 52dB				
<b>Lens</b>					
Lens type	2.8mm@F1.6		2.8~12mm@F1.6, AF automatic focusing and motorized zoom lens		
Optical Zoom	N/A		4X		
Iris	Fixed aperture				
Field of View (H)	102.4°		106.6° ~ 30.6°		
Field of View (V)	54.9°		56.5° ~ 17.4°		
Field of View (D)	133.1°		138.6° ~ 37.6°		
<b>DORI</b>					
DORI Distance	Lens (mm)	Detect (m)	Observe (m)	Recognize (m)	Identify (m)
	2.8(Fixed Lens)	43.4(142.5ft)	17.4(57.0ft)	8.7(28.5ft)	4.3(14.3ft)
	2.8(PTZ)	43.4(142.5ft)	17.4(57.0ft)	8.7(28.5ft)	4.3(14.3ft)
	12(PTZ)	162.9(534.6ft)	65.2(213.8ft)	32.6(106.9ft)	16.3(53.5ft)
<b>Illuminator</b>					
IR Range	Up to 33ft (10 m)		Up to 164ft (50 m)		
Warm Light Range	N/A		Up to 33ft (10 m)		
Wavelength	850nm (IR)				
Light On/Off Control	Auto/Manual				
<b>Video</b>					
Video Compression	Ultra 265, H.265, H.264, MJPEG				
Frame Rate	Main Stream: 1080P (1920*1080),Max 25fps Sub Stream: 720P (1280*720), Max 25fps				
Video Bit Rate	128 Kbps~16 Mbps				
U-code	Support (Main stream)				
ROI	Up to 8 areas				
Video stream	Dual streams				
OSD	Up to 4 OSDs				
Privacy Mask	24 areas, up to 4 areas per scene				
<b>Image</b>					
White Balance	Auto/Outdoor/Fine Tune/Sodium Lamp/Locked/Auto2				
Digital noise reduction	2D/3D DNR				
Smart IR	Support				
Flip	Normal/Flip Vertical/Flip Horizontal/180°				
HLC	Support				
BLC	Support				

Defog	Digital defog	
<b>Intelligent</b>		
Smart Intrusion Prevention	Support false alarm filtering: Cross line detection, Intrusion detection, Enter area detection, Leave area detection	
Linkage Function	Support, Triggered by fixed lens via smart intrusion prevention function to track target	
<b>Events</b>		
Basic Detection	Audio detection	
General Function	Watermark, IP Address Filtering, Access Policy, ARP Protection, RTSP Authentication, User Authentication	
<b>Audio</b>		
Audio Compression	G.711U, G.711A	
Audio Bitrate	64 Kbps	
Two-way Audio	Support	
Suppression	Support	
Sampling Rate	8 kHz	
<b>Storage</b>		
Edge Storage	Micro SD, up to 256 GB	
Network Storage	ANR,NAS(NFS)	
<b>Network</b>		
Protocols	IPv4, IGMP, ICMP, ARP, TCP, UDP, DHCP, PPPoE, RTP, RTSP, RTCP, DNS, DDNS, NTP, FTP, UPnP, HTTP, HTTPS, SMTP, 802.1x, SNMP, QoS, RTMP, SSL/TLS	
Compatible Integration	ONVIF (Profile S, Profile G), API, SDK	
User/Host	Up to 32 users. 3 user levels: administrator, operator and common user	
Security	Password protection, strong password, HTTPS encryption, Export operation logs, basic and digest authentication for RTSP, digest authentication for HTTP, TLS 1.2, WSSE and digest authentication for ONVIF	
Client	ULTRA REMOTE PRO REVO ULTRA APP MYREVOCLOUD.COM	
Web Browser	Plug-in required live view: IE 10 and above, Chrome 45 and above, Firefox 52 and above, Edge 79 and above	
<b>Pan &amp; Tilt</b>		
Pan Range	N/A	0° ~ 345°
Pan Speed	N/A	1°/s ~ 40°/s
	Preset speed: N/A	Preset speed: 40°/s
Tilt Range	18° ± 5°	-10° ~ 100°
Tilt Speed	N/A	1°/s ~ 50°/s
	Preset speed: N/A	Preset speed: 50°/s
Number of Presets	256	
Preset Patrol	16 patrol routes, up to 64 presets for each route	
Patrol Stay Time	1000s~1800s	
Preset Image Freeze	N/A	
Home Position	Support	
<b>Interface</b>		
Audio I/O	N/A	
Alarm I/O	N/A	
Serial Port	N/A	
Built-in Mic	Support (Mic*2)	
Built-in Speaker	Support	
Wi-Fi	N/A	

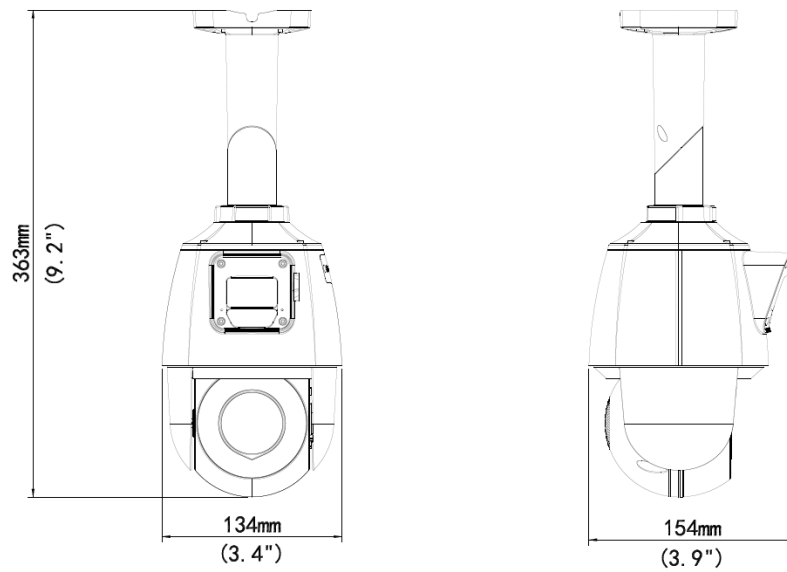
Network	1 * RJ45 10M/100M Base-TX Ethernet
Video Output	N/A
<b>General</b>	
Power	DC12V, PoE+(IEEE 802.3at)
	Power consumption: MAX 16W
Power Interface	Ø 5.5mm coaxial power plug
Dimensions (Ø x H)	Wall Mount: Φ134 x 192 x 302mm (Φ5.3" x 7.6" x 11.9")
	Ceiling Mount: Φ134 x 154 x 363mm (Φ5.3" x 6.1" x 14.3")
Weight	2.27lb (1.03kg)
Working Environment	-4°F ~ 140°F (-20°C ~ 60°C) , Humidity: ≤95% RH (non-condensing)
Storage Environment	-22°F ~ 158°F (-30°C ~ 70°C) , Humidity: ≤95% RH (non-condensing)
Surge protection	2KV
Reset button	Support

## Dimensions

### Wall Mount



## Ceiling Mount



**Zhejiang Uniview Technologies Co., Ltd.**

Building No.10, Wanlun Science Park, Jiangling Road 88, Binjiang District, Hangzhou, Zhejiang, China (310051)

Email: [overseasbusiness@uniview.com](mailto:overseasbusiness@uniview.com); [globalsupport@uniview.com](mailto:globalsupport@uniview.com)

<http://www.uniview.com>

©2022 Zhejiang Uniview Technologies Co., Ltd. All rights reserved.

\*Product specifications and availability are subject to change without notice