



Dome Camera
with IR Night Vision

Instruction Manual

Thank you for purchasing our product. Before installing this camera, please read this instruction manual carefully to ensure proper use.

1. Safety Precautions



CAUTION
RISK OF ELECTRIC
SHOCK. DO NOT OPEN!



CAUTION : TO REDUCE THE RISK OF ELECTRICAL SHOCK, DO NOT OPEN COVERS.
NO USER SERVICEABLE PARTS INSIDE. REFER SERVICING TO QUALIFIED
SERVICE PERSONNEL.



Disposal of Old Electrical & Electronic Equipment (Applicable in the European Union and other European countries with separate collection systems).

- ◆ Please do not directly touch the sensor element. If necessary, use a soft cloth moistened with alcohol to wipe off any dust.
- ◆ Please be extra careful not to shake the camera.
- ◆ Please avoid places where there is direct sunlight.
- ◆ When using this camera in places where the lighting differs greatly, please use the auto iris lens with ND filter.
- ◆ Please avoid places where temperatures exceed 50°C (122 °F) or more, high humidity or where direct rain drops hit, frequent vibrations, or shocks occur.
- ◆ During the night, if a minimum brightness of 0.1 Lux can not be achieved, install appropriate light fixtures.
- ◆ When the camera is not used, keep the lens or the lens cap attached to protect the sensor.

2. Description

The camera uses high sensitive super HAD interline transfer image sensor, and employs digital signal processor (DSP) chip-set for image control, and all integrated state circuitry which provide extremely long life and high reliability. This camera offers excellent image quality with low lag and high burn resistance, and is not subject to distortions from magnetic fields.

Highly resistance to shock and vibration, easy to install, this camera is a very good choice for your color CCTV system.

3. Feature

- ◆ Color camera PCB module with 1/3" High Resolution Sensor.
- ◆ Employs Digital Signal Processor (DSP) chip-set for image control.
- ◆ Pixel number: NTSC=380K / PAL=440K.
- ◆ High sensitivity, low smear, high anti-blooming and high S/N ratio.
- ◆ Support functions: Auto Electronic Shutter (AES), Auto Iris (AI), Auto Gain Control (AGC), Auto White Balance (ATW), Back Light Compensation (BLC), Flickerless mode (FL).
- ◆ Vari-Focal Lens (DC Drive).
- ◆ DC type, ultra low power consumption.

4. Contents

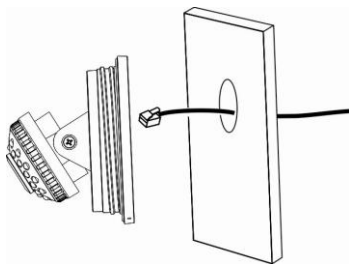


Item	Name of Part	Quantity
1	Camera	1
2	Instruction Manual	1
3	Bag	1
	A Fixed Retaining Screws for Mounting	4
	B Anchor	4

5. Installation & Operation

1. Install Preparation

Drill hole in wall if wire needs to go through the wall.



Note!

The following picture illustrates the base of the real IR Dome. The IR Dome does not provide a central pathway for the cables to run through as it applies RJ12 connection method. Therefore, you must drill hole in wall to be off center of base , in either zone "A" , "B" or "C".



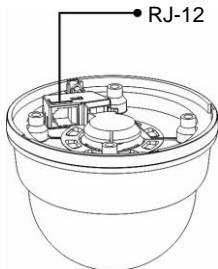
2. Removing the Dome Cover

Remove the dome cover from the main body by gently turning the cover counter-clockwise to unlock and pull free from the main body.



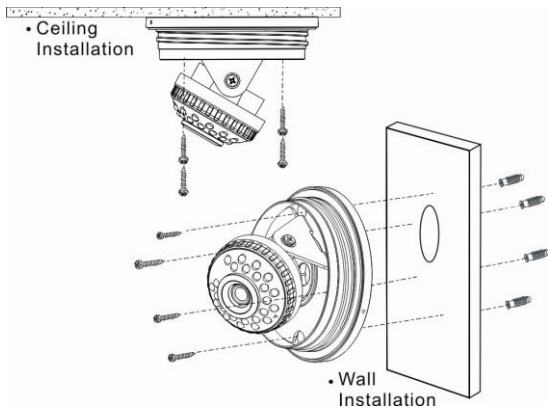
3. Wiring Instructions

Connect the video output to the monitor or other video device through a 75 Ohms type coaxial cable and RJ-12 output to the power source.



4. Install Camera

Use the 4 screws provided to attach the camera and bracket to the ceiling surface or wall.



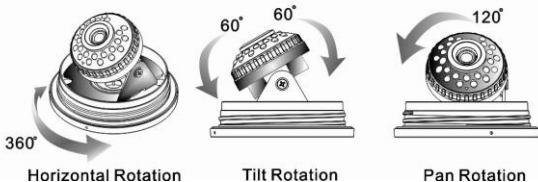
5. Camera Diagram Image Adjustment

- You can adjust camera to any direction by using Pan, Tilt, and Rotate mechanism.
- Pan Base moves by 120° on the whole.
- Tilt Base covers total 120° angle (60° to each side).
- Angle range of Rotate Base is 360°.



Board Lens with IR LED

■ 3-Axis Movement for Free Lens Rotation



6. Attaching the Dome Cover

After all necessary adjustment has been made reinstall the dome cover to the main body by turning the dome clockwise until it locks in place.



6. Specification

According to the camera purchased, select and refer to the appropriate specification below:

Model No.		RCDY24-1	RCDY12-1
Image Device		1/3" Color CCD (Sharp Chipset)	
Picture Elements		NTSC: 510 x 492 PAL: 500 x 582	
Resolution		540 TVL	
Min. Illumination		0.02Lux/ F1.2 (Day) 0Lux (IR On)	
S/N Ratio		More than 48 dB	
Electronic Shutter		NTSC:1/60~1/100,000, PAL:1/50~1/110,000	
Gamma		0.45	
Sync System		Internal	
Lens Furnished		Board Lens	
White Balance		Auto	
Gain Control		Auto	
Video Output		1 Vp-p/ 75 Ohms	
Power Supply		DC12V±10%	
Power Consumption	IR OFF	75mA max.	
	24 IR LED ON	355mA max.	
	12 IR LED ON	215mA max.	
Infrared Illuminator Module			
Infrared Luminary		24 IR LED	12 IR LED
Filter		Tempered Glass	
Wavelength		850nm	
Illuminant Distance		20 M	10 M
Power Supply		DC 12V±10%	
Power Consumption		3.4 W	1.7 W
System Device			
Operating Temp.		-10°C to 50°C (14°F to 122°F)	
Operating Humidity		0% RH~70%RH	
Storage Humidity		0% RH~85%RH	
Dimensions		φ 110x82 (H) mm	

Note: Design and specifications are subject to change without prior notice.

* This symbol indicates the functions are available only on Auto Iris camera models.